

## TO-8 VCO Test Fixture



### Features:

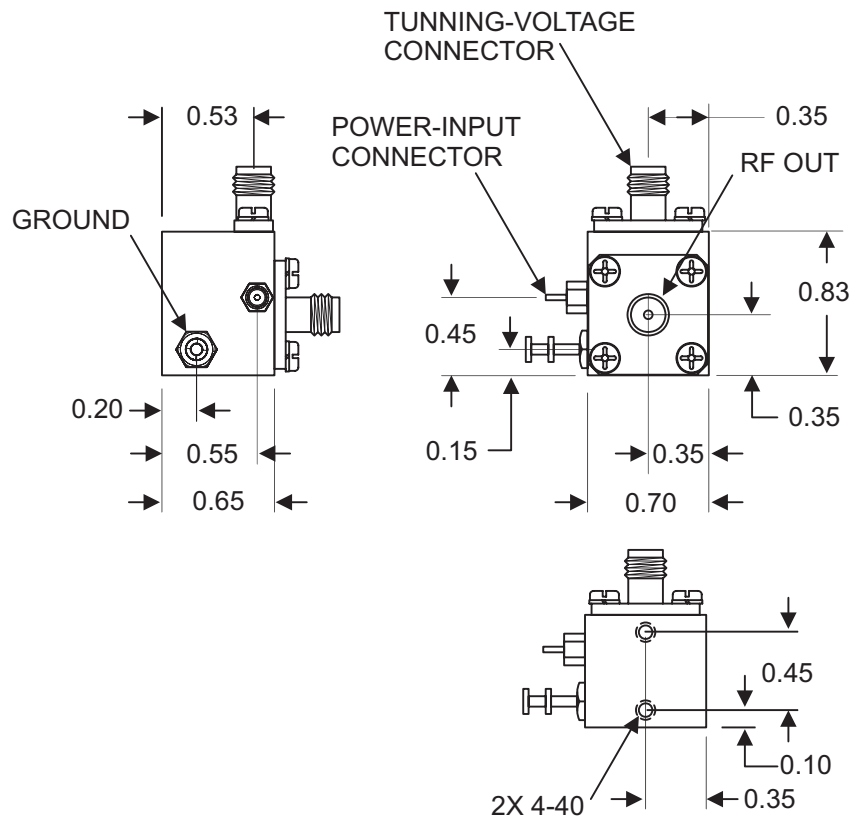
- Frequency range: 0.1 to 10 GHz
- SMA-tuning port & RF output
- Easy-to-test package
- Repeatable performance
- Temperature range: -55° to 85° C

### Applications:

- Engineering
- Characterization
- Incoming Inspection
- System Prototype
- Demonstration of device performance

Phase Matrix's VTO-ACC12-TO8 test fixture enables testing and prototyping of VCO products in the industry standard TO-8 package. Its rugged construction yields precise and repeatable measurements within the temperature range of -55 to +85 degrees Celsius.

The VTO-ACC12-TO8 features mounting hardware that ensures optimal contact between the oscillator package and the fixture's ground as well as between the pins of the package and the fixture's connector pins to ensure reliable testing. See instructions for use on next page.



Mechanical Dimensions



Preliminary specifications. September, 2007.  
Specifications are subject to change without notice.

## TO-8 Test Fixture

### Ordering Information:

Part number: VTO-ACC12-TO8

Description: TO-8 Test Fixture

### For more information, contact the

Components Group at Phase Matrix:

109 Bonaventura Drive

San Jose, California, 95134, USA

Toll Free: +1-877-447-2736

Tel: +1-408-428-1000

Fax: +1-408-428-1500

Email: [components@phasematrix.com](mailto:components@phasematrix.com)

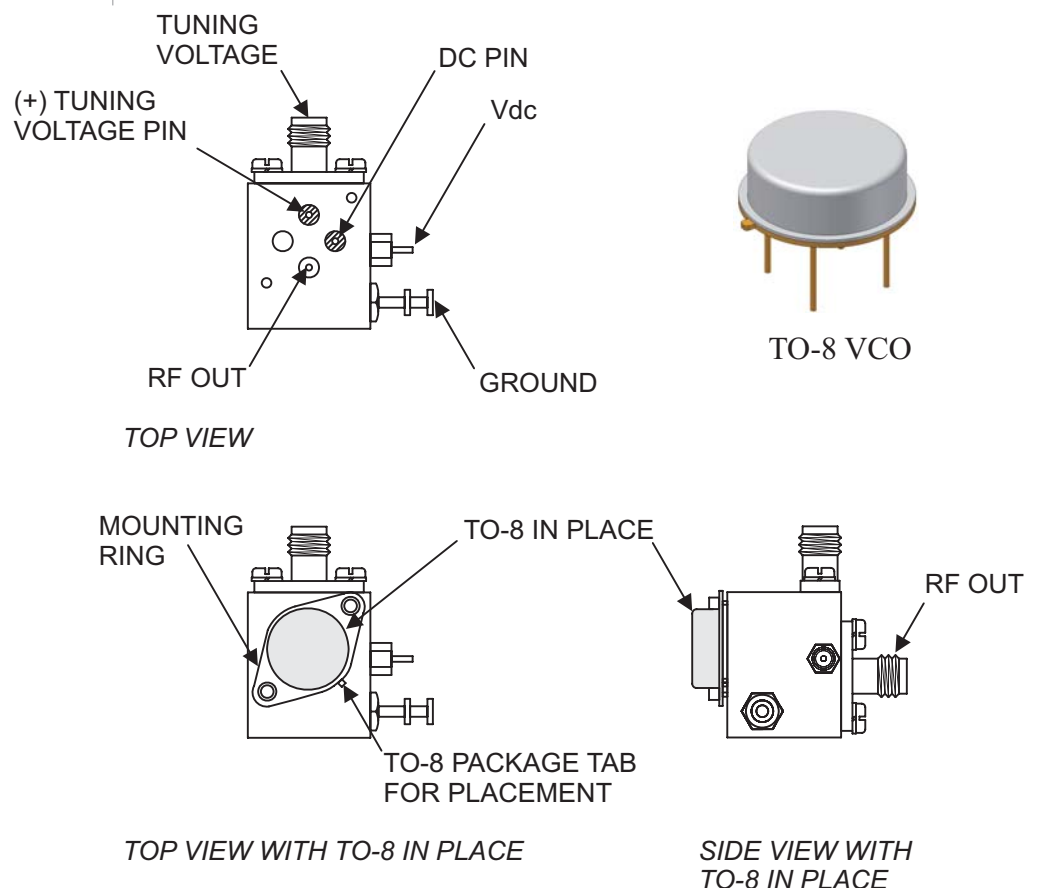
Web: [www.phasematrix.com](http://www.phasematrix.com)

### Instructions for use:

The illustration below shows the fixture with a device inserted for testing.

1. Insert the device.
2. Place the steel mounting ring over the device.
3. Secure the steel mounting ring with two machine screws.  
Tighten the screws with a jeweler's type screwdriver.

Note: Some output power variation may be seen from test fixture to test fixture at frequencies above 8 GHz due to small differences in the lengths of RF output connector pins of the test fixture.



Test Fixture with TO-8 VCO