



**PLS-2900-M100I**

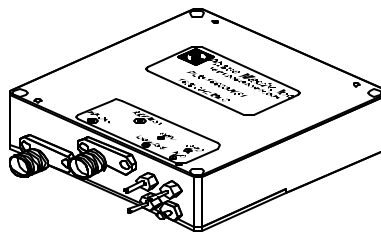
**2.9 GHz Low Noise Phase Locked Source**

**Features**

- Operating frequency:  
2.9 GHz
- Output Power (50  $\Omega$  Load):  
13 dBm Minimum
- Operating Temperature  
Range: From 0°C to 70 °C
- Low Phase Noise:  
-105 dBc @ 1 KHz
- Internal 100MHz Reference
- Small Size Package  
2.25 x 2.25 x 0.75 inches
- Freq. Stability  $\pm 1$  ppm

**Applications**

- Communications,  
Instrumentation and  
Military
- S-Band Phase Lock  
Source



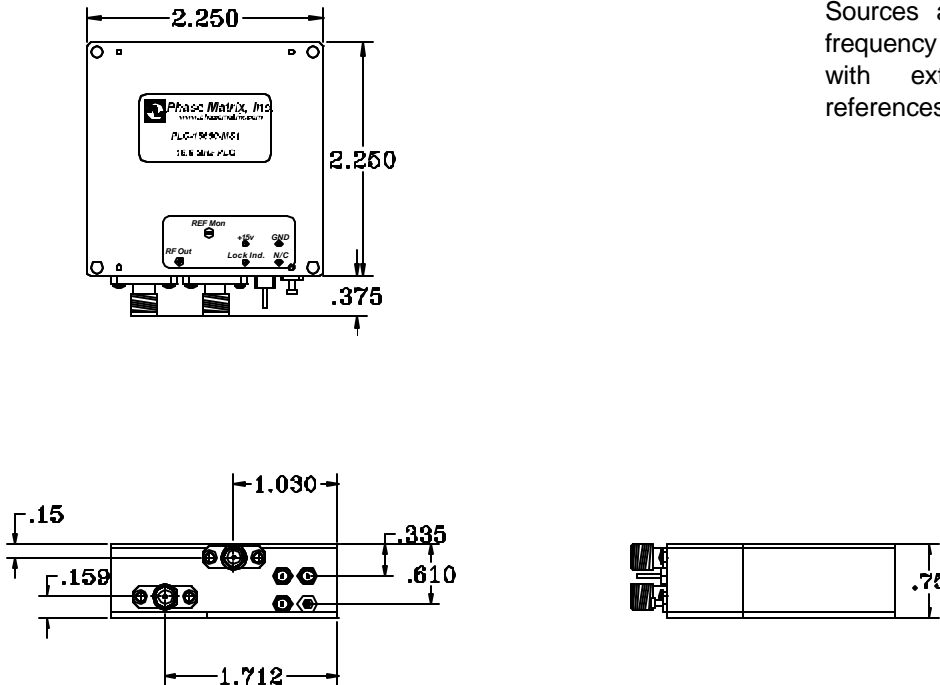
**General Description**

Emerging applications of wireless technology require very high performance signal sources for use as Local oscillators in military and commercial communications.

This new PLS-2900-M100I provides a low noise Phase Locked Source at 2.9 GHz using an internal reference of a highly stable 100 MHz OXCO in a small package. A low noise Phase Lock Loop is used to provide excellent phase noise and frequency stability performance.

A silicon bipolar transistor low noise Oscillator is used as the primary source. A buffer amplifier in the output provides the desired power output and load isolation. Phase Locked Sources are available at any frequency from 1 to 50 GHz with external or internal references.

**Package Mechanical Dimensions (Inches)**



### PLS-2900-M100I Absolute Maximum Ratings

Parameter	Units	Ratings
Positive Supply Voltage	V	0 to +14
Operating Temperature	C°	-10 to +85
Storage Temperature	C°	-40 to +125

### PLS-2900-M100I Summary Characterization

0° C to 70° C

Parameter	Units	Min	Typ	Max
Output Operating Frequency	GHz		2.9	
Frequency Stability over temp.	ppm			± 1
Aging per year	ppm		± 1	
Output Power	dBm	13		17
Phase Noise				
100 Hz	dBc		-83	
1 KHz	dBc		-105	
10 KHz	dBc		-110	
100 KHz	dBc		-125	
1 MHz	dBc		-145	
Harmonics (Below Carrier)	dBc		-40	-30
Spurious Output (Below Carrier)	dBc		-70	-65
Internal Reference	MHz		100	
Lock Alarm (Locked)	TTL		High	
Positive Supply Voltage	V	11.7	12	12.3
Positive Supply Current	mA		650	750
Mechanical Dimension	in	2.25" x 2.25" x 0.75"		

**Note:** Contact factory for External Reference Source option or for any changes in the specifications.

### Part Number Ordering Information

Part Number
PLS-2900-M100I

**For more information:**

Phase Matrix Inc.  
 109 Bonaventura Dr.  
 San Jose, California  
 95134 - 2106 USA  
 TEL: +1 (408) 428.1000  
[components@phasematrix.com](mailto:components@phasematrix.com)  
 Data subject to change  
 Copyright © Jan 2007 Phase Matrix Inc.